

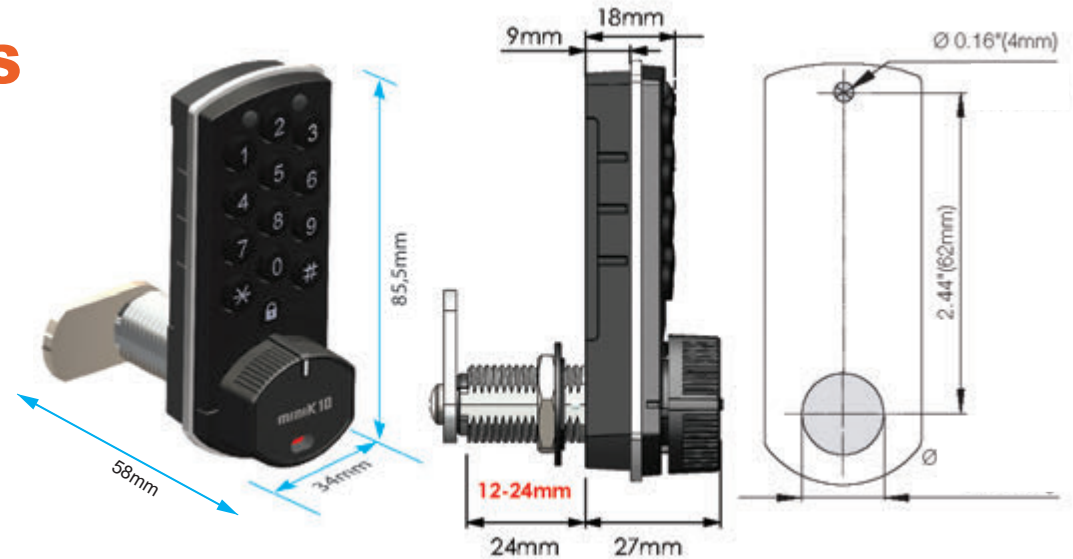
*The MiniK10 M Digital Cam Lock is world's smallest and most eco-friendly digital cam lock, with a battery life of up to 5 years!*

*MiniK10 M can be used with 13.56MHz Mifare Card, fob and wristband. Enrol the Master override card and then all subsequent cards become Users. It is suitable for new lock installations, using only two holes or retrofitting conventional key operated cam locks or semi-flush mounting options.*



## FEATURES & OPTIONS

- 3 levels of Management
- Low Voltage Alarm
- Emergency Power Input
- Visual In Use Indicator
- Master program and override codes
- Public share one-time use or permanent private use
- User changeable code; no tools required
- Programmable functions, such as disabling keypad beeps, etc.
- Special discounts for Trade and OEM cabinet and locker makers
- Quick and easy retrofit installation in minutes, replacing conventional key operated cam locks
- Suits timber, plastic or steel doors Max 20-22mm thickness
- MiniK10M works with MIFARE Classic cards



### TECHNICAL SPECIFICATIONS:

Weight	70,4 g (2.48 oz) (excluding cam and mounting)
Key Pad	Silicone Keypad with metal dome
Operating Temperature	+10 / +50 °C (50 - 122 °F)
Storage Temperature	+0 / +60 °C (32 - 140 °F)
Operating Moisture	20% - 80% Rh (without condensation)
Replaceable Battery	3V Lithium CR2450



Corporate Offices & Work Stations



Employee Lockers



Security / Defence Lockers



Parcel Cabinets



Rental Lockers



University & School Lockers



Hospitals



Asset Lockers & Cabinets



Hotels, Resorts & Spas



Gyms & Fitness Centers