

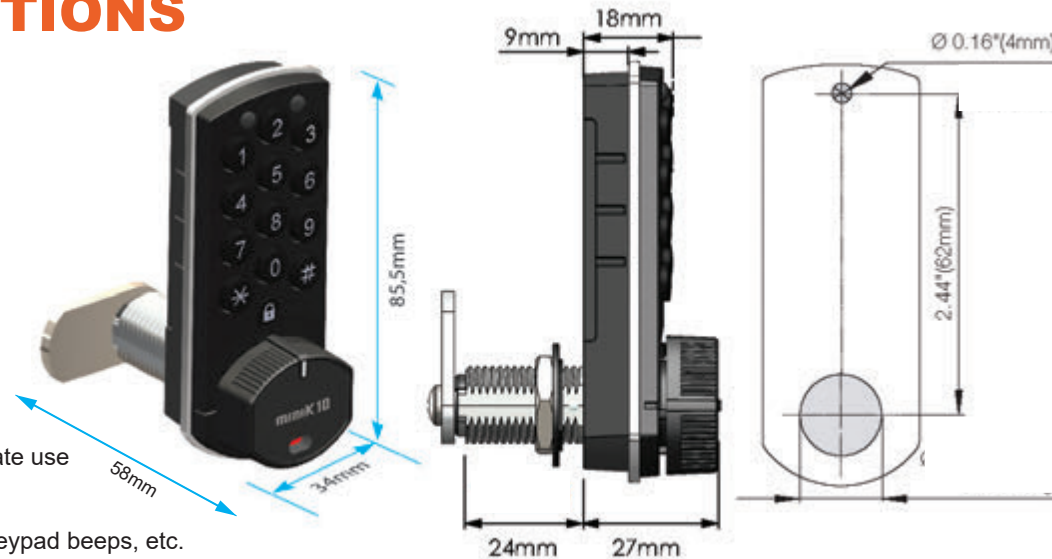
The MiniK10 Digital Cam Lock is world's smallest and most eco-friendly digital cam lock, with a battery life of up to 5 years!

With various technologies including RFID, Mifare, and NFC technology, It is suitable for new lock installations, using only two holes or retrofitting conventional key operated cam locks or semi-flush mounting options.

### FEATURES & OPTIONS



- 3 levels of Management
- 4 Digit User Code
- 5 Digit Service Code
- 6 Digit Master Code
- Low Voltage Alarm
- Emergency Power Input
- Visual In Use Indicator
- Hopinlock Management App
- Master program and override codes
- Public share one-time use or permanent private use
- User changeable code; no tools required
- Programmable functions, such as disabling keypad beeps, etc.
- Special discounts for Trade and OEM cabinet and locker makers
- Supervisor Code for management of digital electronic lockers without administrator rights
- Quick and easy retrofit installation in minutes, replacing conventional key operated cam locks
- Available in Black or White, Vertical and LH or RH horizontal
- Suits timber, plastic or steel doors Max 20-22mm thickness



**SAVE THE WORLD**

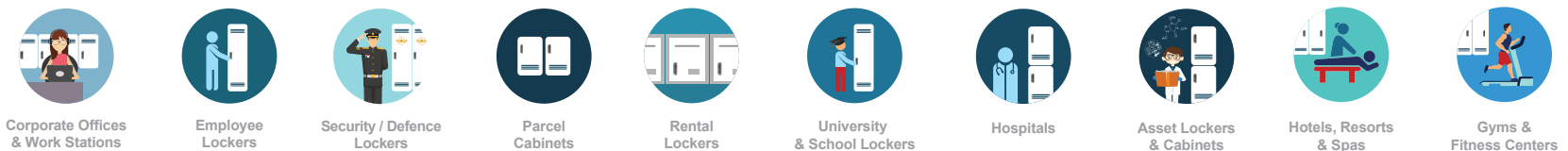
eco-friendly up to 10 years with one battery

MS manager hopinlock



#### TECHNICAL SPECIFICATIONS:

Weight	70,4 g (2.48 oz) (excluding cam and mounting)
Key Pad	Silicone Keypad with metal dome
Operating Temperature	+10 / +50 °C (50 - 122 °F)
Storage Temperature	+0 / +60 °C (32 - 140 °F)
Operating Moisture	20% - 80% Rh (without condensation)
Replaceable Battery	3V Lithium CR2450



November, 2019

ABN 61 102 798 381

DISCLAIMER: KeyWatch Systems QLD reserve the right to make any changes without notice to colour, dimensions, pricing and technical specifications. Please confirm prior to ordering.