

The MiniK10 Digital Cam Lock is world's smallest and most eco-friendly digital cam lock, with a battery life of up to 5 years!

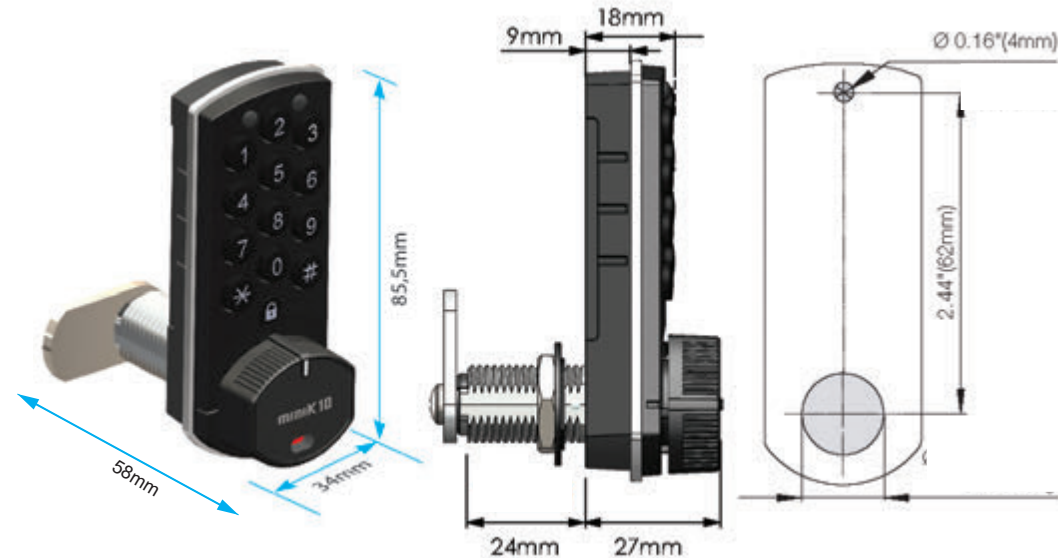
MiniK10 MC can be used with 13.56MHz Mifare Card, keyholder and wristband. Enrol the Master override card and then all subsequent cards become Users.

It is suitable for new lock installations, using only two holes or retrofitting conventional key operated cam locks or semi-flush mounting options.



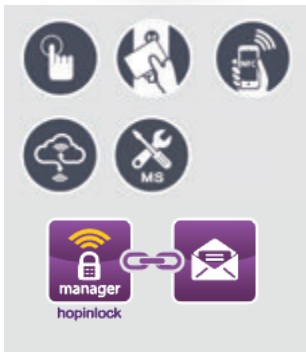
## FEATURES & OPTIONS

- 3 levels of Management
- Low Voltage Alarm
- Emergency Power Input
- Visual In Use Indicator
- Hopinlock Management App
- Master program and override codes
- Public share one-time use or permanent private use
- User changeable code; no tools required
- Programmable functions, such as disabling keypad beeps, etc.
- Special discounts for Trade and OEM cabinet and locker makers
- Quick and easy retrofit installation in minutes, replacing conventional key operated cam locks
- Suits timber, plastic or steel doors Max 20-22mm thickness
- MiniK10MC works with MIFARE Classic cards



### TECHNICAL SPECIFICATIONS:

Weight	70,4 g (2.48 oz) (excluding cam and mounting)
Key Pad	Silicone Keypad with metal dome
Operating Temperature	+10 / +50 °C (50 - 122 °F)
Storage Temperature	+0 / +60 °C (32 - 140 °F)
Operating Moisture	20% - 80% Rh (without condensation)
Replaceable Battery	3V Lithium CR2450



Corporate Offices  
& Work Stations



Employee  
Lockers



Security / Defence  
Lockers



Parcel  
Cabinets



Rental  
Lockers



University  
& School Lockers



Hospitals



Asset Lockers  
& Cabinets



Hotels, Resorts  
& Spas



Gyms &  
Fitness Centers

November, 2019

ABN 61 102 798 381

DISCLAIMER: KeyWatch Systems QLD reserve the right to make any changes without notice to colour, dimensions, pricing and technical specifications. Please confirm prior to ordering.